

JL Industries' standard line of fire-rated access panels meets testing standards: UBC 43-7, UL10B, ASTME152. Access panels are rated up to 3 hours for non-combustible horizontal surfaces. All models feature a 2" thick insulated door and spring-assisted closer. A second spring is included on sizes 16" x 16" thru 24" x 36" and must be used for the ceiling fire-rating on these sizes. Panels packaged individually.



**FD: Standard Panel (Ceiling):**

**Frame & Trim:** 16 gauge steel with a paintable 1" flange. Welded-on masonry anchors.

**Door:** 2" thick, insulated 20 gauge steel with continuous hinge.

**Finish:** White powder coat paint.

**Lock:** Universal turn ring and key lock. (U)



**FDS: Stainless Steel (Ceiling):**

**Frame & Trim:** 16 gauge stainless steel with 1" wall flange. Welded-on masonry anchors.

**Door:** 2" thick, insulated 20 gauge stainless steel with continuous hinge.

**Finish:** 304 Stainless steel - #4 Satin finish.

**Lock:** Universal turn ring and key lock. (U)

Please Note FDSS Product Model # Has Changed to FDS.  
Please Note - Color Codes and Lock Option Codes have Changed.

**Fire-Rating of FD, & FDS:**  
**Ceiling Installation:** Warnock Hersey listed for ceiling installations with 3 hour non-combustible rating or 1 hour combustible rating. "Report# J97022944-231"  
**CSFM:** This product has been approved by the California State Fire Marshall (CSFM) pursuant to Section 13144.1 of the California Health and Safety Code. See CSFM Listing No 3330-1223:101 for allowable values and/or conditions for use concerning material presented in this document. It is subject to reexamination, revision and possible cancellation.

**Sizes:** Minimum 8" x 8", maximum 24" x 36" See FD2 and FD3 for larger sizes.

**STEP 1: SELECT MODEL NUMBER AND QUANTITY ON CHART - PAGE 2** Door Size is Order Size.

**STEP 2: SELECT MATERIAL**

- \_\_\_ **FD** Steel with 20 gauge door and 16 gauge frame. Example: **FD-1212-U4W**
- \_\_\_ **FDG** Galvannealed Steel with 20 gauge door and 16 gauge frame. (Additional Cost) Example: **FDG-1212-U2W**
- \_\_\_ **FDS** Stainless Steel with 20 gauge door and 16 gauge frame. (Additional Cost) Example: **FDS-1212-U**

**STEP 3: SELECT LOCK AND OPTIONAL COLOR**

- \_\_\_ (U) Standard Universal Lock with turn ring and key
- \_\_\_ **SELECT OPTIONAL LOCKS AND FEATURES BELOW AT ADDITIONAL COST**
- \_\_\_ (U3) Mortise slam lock prep for lock by others. This preparation will accept a 1-1/8" diameter mortise cylinder and the threading on the cylinder must be 7/8" long. Cam must have minimum "X" length of 7/16". This allows you to key to new or existing master key systems.
- \_\_\_ (U4) Mortise slam lock prep with model 06431 installed.
- \_\_\_ (U2) Slam latch with knurled knob.
- \_\_\_ Optional Color Code - see selection page 2 or website, custom colors-submit paint chip.
- \_\_\_ **G-Gray, R-Red, BK-Black, FB-Flat Black, S-Sand, AB-AMS Beige, SB-Flat Beige, B-Bronze, SI-Silver**

**Order Format:** \_\_\_\_\_ - \_\_\_\_\_ - \_\_\_\_\_ - \_\_\_\_\_ - \_\_\_\_\_  
**Example:** FD-1212-U4B

Model (FD, FDS, FDG)	Width	Height	Lock (U Standard, U2, U3 & U4 Optional)	Optional Color	Optional Gauge
-------------------------	-------	--------	---	----------------	----------------

LATCH AND LOCK OPTIONS		
Standard (U) Universal Ring/Key	Optional Knurled Knob (U2)	Optional Mortise Lock (U4)

	Distributor:	Quantity:
	Contractor:	Approved By:
	Model #:	Architect:
	Project:	Date:
© 2020 ACTIVAR CONSTRUCTION PRODUCTS GROUP, INC.— FD™ IS A TRADEMARK OF ACTIVAR <b>HEADQUARTERS:</b> 9702 NEWTON AVE S, BLOOMINGTON, MN 55431 • <b>PH:</b> 800-554-6077 • <b>EMAIL:</b> SALES@ACTIVARCPG.COM • WWW.ACTIVARCPG.COM <b>MANUFACTURING:</b> BLOOMINGTON, MN & COMMERCE, CA • <b>WAREHOUSES:</b> SEE WEBSITE FOR LOCATIONS <b>12/15/2020</b>		

QTY	A		B		C		D		APPROXIMATE SHIPPING WEIGHT In Pounds		LATCH (ES)
	MODEL SIZE IS DOOR SIZE WIDTH X HEIGHT		OUTSIDE FRAME DIMENSIONS		2-3-HOUR NON-COMBUSTIBLE MASONRY CEILING OPENING		2-3 HOUR NON-COMBUSTIBLE CEILING OPENING (1-1/4" Allowance for Fire-Rated Liner of Opening)		FD	FDS	
	INCHES	mm	W	H	WIDTH	HEIGHT	WIDTH	HEIGHT			
	<b>8" X 8"</b>	203 x 203	10"	10"	8 3/8"	8 3/8"	9 5/8"	9 5/8"	6	6	1
	<b>10" X 10"</b>	254 x 254	12"	12"	10 3/8"	10 3/8"	11 5/8"	11 5/8"	8	8	1
	<b>12" X 12"</b>	305 x 305	14"	14"	12 3/8"	12 3/8"	13 5/8"	13 5/8"	10	10	1
	<b>14" X 14"</b>	356 x 356	16"	16"	14 3/8"	14 3/8"	15 5/8"	15 5/8"	12	12	1
	<b>16" X 16"</b>	406 x 406	18"	18"	16 3/8"	16 3/8"	17 5/8"	17 5/8"	15	15	1
	<b>18" X 18"</b>	457 x 457	20"	20"	18 3/8"	18 3/8"	19 5/8"	19 5/8"	17	18	1
	<b>20" x 20"</b>	508 x 508	22"	22"	20 3/8"	20 3/8"	21 5/8"	21 5/8"	21	22	1
	<b>20" x 30"</b>	508 x 762	22"	32"	20 3/8"	30 3/8"	21 5/8"	31 5/8"	28	29	2
	<b>22" x 22"</b>	559 x 559	24"	24"	22 3/8"	22 3/8"	23 5/8"	23 5/8"	26	27	1
	<b>22" X 30"</b>	559 x 762	24"	32"	22 3/8"	30 3/8"	23 5/8"	31 5/8"	29	30	2
	<b>22" X 36"</b>	559 x 914	24"	38"	22 3/8"	36 3/8"	23 5/8"	37 5/8"	36	37	2
	<b>24" X 24"</b>	610 x 610	26"	26"	24 3/8"	24 3/8"	25 5/8"	25 5/8"	27	28	1
	<b>24" X 36"</b>	610 x 914	26"	38"	24 3/8"	36 3/8"	25 5/8"	37 5/8"	37	38	2

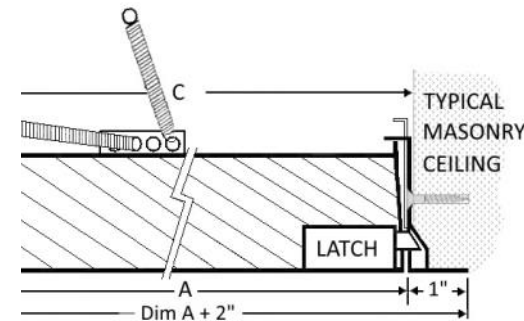
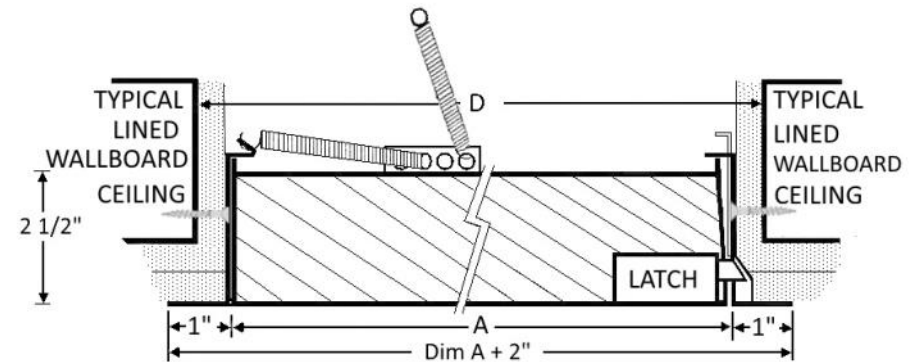
Other sizes available upon request up to 24" x 36"  
See FD2 and FD3 Series for Widths Greater than 24" (up to 36" x 36")

**Sizes Shown in Bold Text in Chart Above Available for Quick Ship from One or More of our Warehouses - [Check Stock List](#)**

Standard Color is White, Optional Colors at Additional Cost - Samples Available



**CEILING INSTALLATION (Side View)**  
Use "C" Dimension for Masonry Installation Without Wallboard Liner  
Use "D" Dimension for 5/8" Wallboard Liner of Opening on 4 Sides



SEE SEPARATE SUBMITTALS FOR 1 HOUR CEILING, 2-3 HOUR WALLS OR DOUBLE LEAF DOORS

DRAWINGS ABOVE PROVIDED AS REFERENCE ONLY INSTALLATION CONDITIONS MAY VARY